

**Ersatzteilliste
Spare Parts List
Liste des pièces de rechange**

K 5500

| | | |
|-------------|------------|------|
| 1.195-101.0 | DS 5500 | *EU |
| 1.195-101.0 | DS 5500 | *EU |
| 1.195-102.0 | DS 5500 | *CH |
| 1.195-102.0 | DS 5500 | *CH |
| 1.195-103.0 | DS 5500 | *AU |
| 1.195-103.0 | DS 5500 | *AU |
| 1.195-104.0 | DS 5500 | *GB |
| 1.195-104.0 | DS 5500 | *GB |
| 1.195-105.0 | DS 5500 | *BR |
| 1.195-105.0 | DS 5500 | *BR |
| 1.195-107.0 | DS 5500-UL | |
| 1.195-107.0 | DS 5500-UL | |
| 1.195-108.0 | K 5500 | * AR |

...siehe / see / voir L16

GRUPPE: 1.0 OBERTEIL
GROUP: 1.0 TOP PART
GRUPPE: 1.0 PARTIE SUPERIEUR

A1

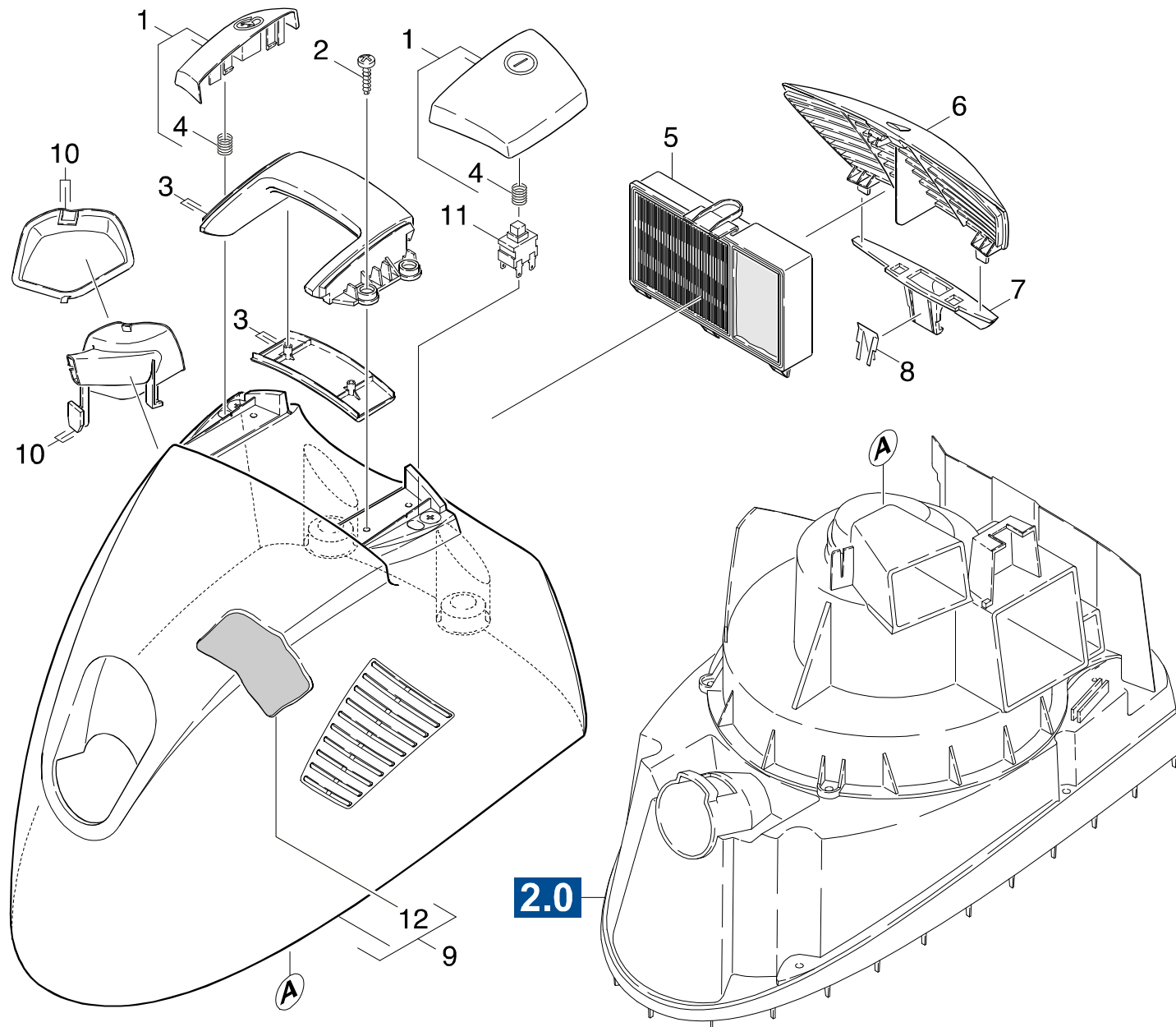
K 5500

GRUPPE: 1.0 OBERTEIL
GROUP: 1.0 TOP PART
GRUPPE: 1.0 PARTIE SUPERIEUR

GRUPPE: 1.0 OBERTEIL
GROUP: 1.0 TOP PART
GRUPPE: 1.0 PARTIE SUPERIEUR

B1

K 5500



Symbolbeschreibung siehe M16 / symbol description see M16 / désignation de système voir M16 /

GRUPPE: 1.0 OBERTEIL
GROUP: 1.0 TOP PART
GROUPE: 1.0 PARTIE SUPERIEUR

C1

K 5500

| POS. ITM. POS. | BENNENNUNG DESCRIPTION DESIGNATION | TEILE-NR. PART-NO. NO.PIECE | STCK QTY. NBR. |
|----------------------|---|-----------------------------------|----------------------|
| 1 | TASTER SET / CALIPERS / BOUTON POUSSOIR | 2.324-003.0 | 1 |
| 2 | SCHRAUBE 5 X 20 / SCREW / VIS | 7.303-098.0 | 3 |
| 3 | TRAGEGRIFF GERAET / HANDLE / POIGNEE | 2.324-007.0 | 1 |
| | GRAU/GREY/GRIS | | |
| 3 | TRAGEGRIFF GERAET / HANDLE / POIGNEE | 2.324-008.0 | 1 |
| | GELB/YELLOW/JAUNE | | |
| 4 | DRUCKFEDER / PRESSURE SPRING / RESSORT A PRESSION | 6.330-170.0 | 2 |
| 5 | FILTER HEPA-PLUS / FILTER / FILTRE | 6.414-630.0 | 1 |
| 6 | ABLUFTGITTER / GRATE / GRILL | 5.031-723.0 | 1 |
| | GRAU/GREY/GRIS | | |
| 6 | ABLUFTGITTER / GRATE / GRILL | 5.032-565.0 | 1 |
| | GELB/YELLOW/JAUNE | | |
| 7 | RASTHAKEN / HOOK / PATERE | 5.037-134.0 | 1 |
| | GELB/YELLOW/JAUNE | | |
| 7 | RASTHAKEN / HOOK / PATERE | 5.037-160.0 | 1 |
| | SCHWARZ/BLACK/NOIR | | |
| 8 | BLATTFEDER / PLATE SPRING / RESSORT A LAMES | 5.337-038.0 | 1 |
| 9 | HAUBE /DAEMMSTOFF / COVER / CAPOT | 2.067-001.0 | 1 |
| | GRAU/GREY/GRIS | | |
| 9 | HAUBE /DAEMMSTOFF / COVER / CAPOT | 2.067-002.0 | 1 |
| | SCHWARZ/BLACK/NOIR | | |
| 10 | GEHAEUSE SET / HOUSING / BOITIER | 2.324-009.0 | 1 |
| | GRAU/GREY/GRIS | | |
| 10 | GEHAEUSE SET / HOUSING / BOITIER | 2.324-010.0 | 1 |
| | GELB/YELLOW/JAUNE | | |
| 11 | SCHALTER / SWITCH / INTERRUPTEUR | 6.630-214.0 | 1 |
| 12 | DAEMMSTOFFMATTE SET / INSULATING MATERIAL / MATERIAU ISOLANT | 2.286-001.0 | 1 |

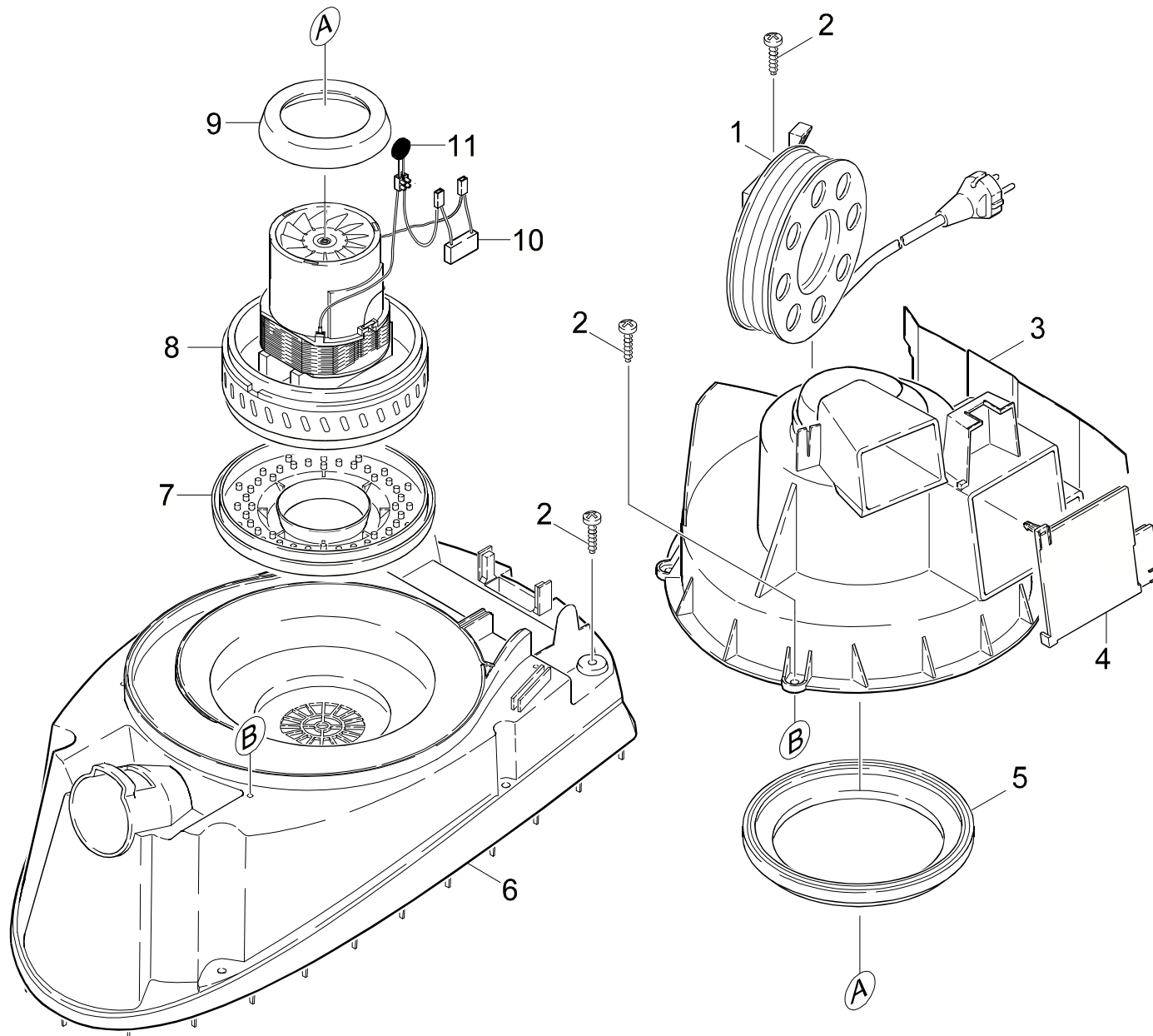
"=> xxxxxx" = bis Werknummer / up to serial No. / jusqu' au No. de fabr. / "xxxxxx =>" = ab Werknummer / from serial No. / a partir du No. de fabr. /

GRUPPE: 2.0 MOTOR
GROUP: 2.0 MOTOR
GRUPPE: 2.0 MOTEUR

A2

K 5500

GRUPPE: 2.0 MOTOR
GROUP: 2.0 MOTOR
GRUPPE: 2.0 MOTEUR



Symbolbeschreibung siehe M16 / symbol description see M16 / désignation de système voir M16 /

GRUPPE: 2.0 MOTOR
GROUP: 2.0 MOTOR
GROUPE: 2.0 MOTEUR

C2

K 5500

| POS. ITM. POS. | BENNENUNG DESCRIPTION DESIGNATION | TEILE-NR. PART-NO. NO.PIECE | STCK QTY. NBR. |
|----------------------|--|-----------------------------------|----------------------|
| 1 | KABELAUTOMATIK *EU / CABLE AUTOMATIC / KABELAUTOMATIK *EU / 1.195-101.0 / -110.0 / -116.0 | 6.648-132.0 | 1 |
| 1 | KABELAUTOMATIK *CH / CABLE AUTOMATIC / KABELAUTOMATIK *CH / 1.195-102.0 | 6.648-502.0 | 1 |
| 1 | KABELAUTOMATIK *AUS / CABLE AUTOMATIC / KABELAUTOMATIK *AUS / 1.195-103.0 | 6.648-503.0 | 1 |
| 1 | KABELAUTOMATIK *GB / CABLE AUTOMATIC / KABELAUTOMATIK *GB / 1.195-104.0 / -109.0 / -115.0 | 6.648-504.0 | 1 |
| 1 | KABELAUTOMATIK *RA / CABLE AUTOMATIC / KABELAUTOMATIK *RA / 1.195-108.0 | 6.648-627.0 | 1 |
| 1 | KABELAUTOMATIK UL / CABLE AUTOMATIC / KABELAUTOMATIK UL / 1.195-105.0 / -107.0 / -111.0 | 6.648-816.0 | 1 |
| 2 | SCHRAUBE M 5X 12 / SCREW / VIS | 7.303-038.0 | 7 |
| 3 | MOTORABDECKUNG / MOTOR COVER / COUVERCLE DU MOTEUR | 5.053-107.0 | 1 |
| 4 | ABDECKUNG KUEHLLUFT / COVERING CAP / CHAPEAU | 5.006-214.0 | 1 |
| 5 | DICHTUNG / SEAL / BOURRAGE | 5.363-493.0 | 1 |
| 6 | MOTORKONSOLE K5500 / MOTOR BRACKET / CONSOLE (MOTEUR) | 4.053-214.0 | 1 |
| 7 | GEBLAESELAGER / BLOWER BEARING / VENTILATEUR PALIER | 5.363-494.0 | 1 |
| 8 | SAUGTURBINE 120V / VACUUM MOTOR / TURBINE D'ASPIRATION / 1.195-105.0 / -107.0 | 6.490-154.0 | 1 |
| 8 | SAUGTURBINE 230V / VACUUM MOTOR / TURBINE D'ASPIRATION / 1.195-101.0 / -102.0 / -108.0 / -110.0 / -111.0 / -116.0 | 6.490-159.0 | 1 |
| 8 | SAUGTURBINE / VACUUM MOTOR / TURBINE D'ASPIRATION / 1.195-103.0 / -104.0 / -109.0 / -115.0 | 6.490-168.0 | 1 |
| 9 | DICHTUNG / SEAL / BOURRAGE | 5.363-395.0 | 1 |
| 10 | KABEL / CABLE / CABLE | 6.648-326.0 | 1 |
| 11 | WIDERSTAND NTC / RESISTOR / RESISTANCE | 6.652-034.0 | 1 |

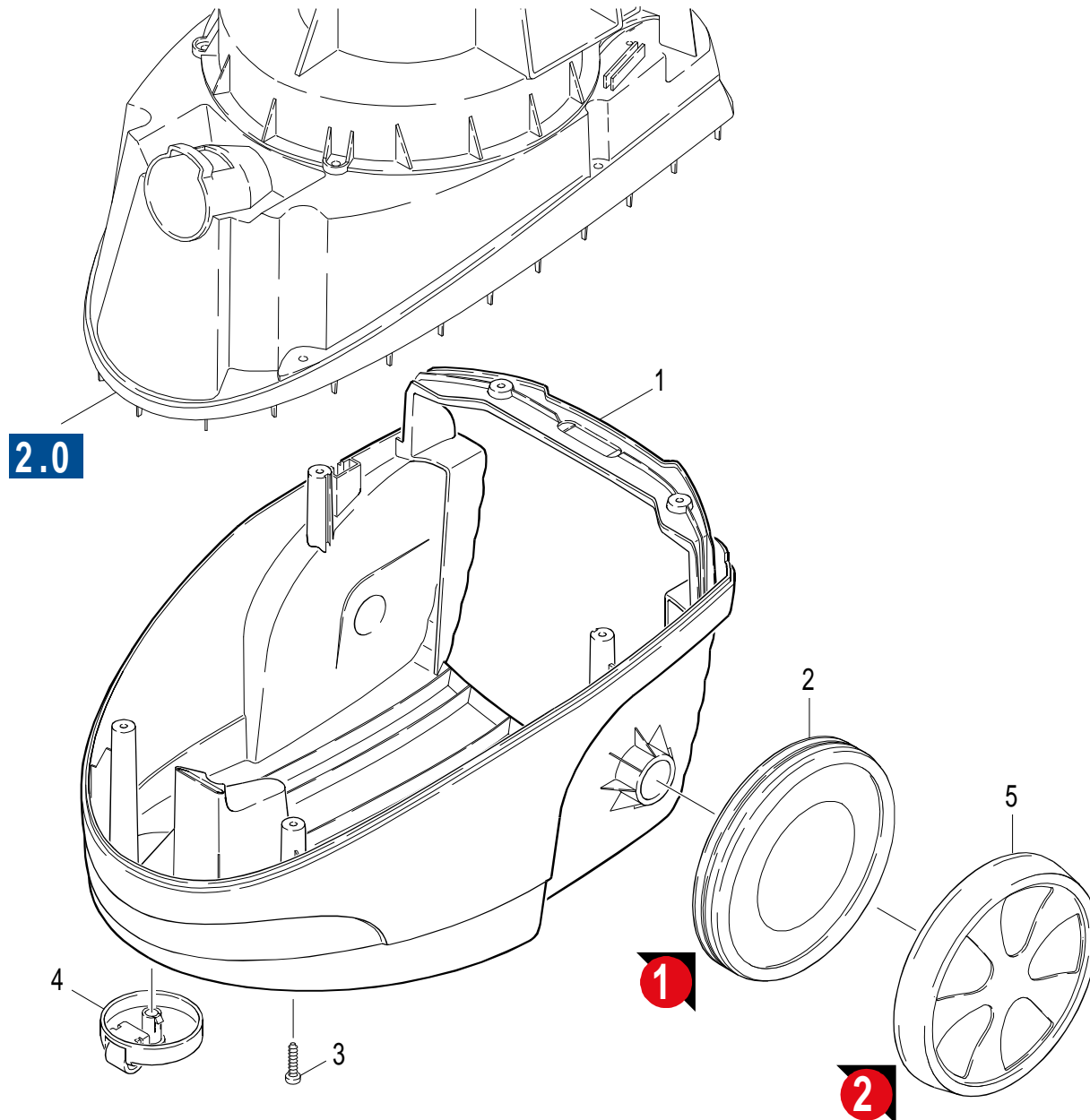
"=> xxxxxx" = bis Werknummer / up to serial No. / jusqu' au No. de fabr. / "xxxxxx =>" = ab Werknummer / from serial No. / a partir du No. de fabr. /

GRUPPE: 3.0 BODENWANNE
GROUP: 3.0 FLOOR TRAY
GRUPPE: 3.0 BODENWANNE

A3

K 5500

GRUPPE: 3.0 BODENWANNE
GROUP: 3.0 FLOOR TRAY
GRUPPE: 3.0 BODENWANNE



Symbolbeschreibung siehe M16 / symbol description see M16 / désignation de système voir M16 /

GRUPPE: 3.0 BODENWANNE
GROUP: 3.0 FLOOR TRAY
GROUPE: 3.0 BODENWANNE

C3

K 5500

| POS. ITM. POS. | BENNENNUNG DESCRIPTION DESIGNATION | TEILE-NR. PART-NO. NO.PIECE | STCK QTY. NBR. |
|----------------------|---|-----------------------------------|----------------------|
| 1 | GEHAEUSEUNTERTEIL / BOTTOM OF COVER / COUVERCLE (PARTIE INF.) GRAU/GREY/GRIS | 2.060-001.0 | 1 |
| 1 | GEHAEUSEUNTERTEIL / BOTTOM OF COVER / COUVERCLE (PARTIE INF.) SCHWARZ/BLACK/NOIR | 2.060-002.0 | 1 |
| 2 | RAD / WHEEL / ROUE VERSION 1GRAU/GREY/GRIS | 5.515-140.0 | 2 |
| 3 | SCHRAUBE 5 X 20 / SCREW / VIS | 7.303-098.0 | 4 |
| 4 | LENKROLLE SET / CASTOR / ROUE PIVOTANTE SCHWARZ/BLACK/NOIR | 2.324-006.0 | 1 |
| 4 | LENKROLLE KOMPLETT / CASTOR / ROUE PIVOTANTE GRAU/GREY/GRIS | 4.515-067.0 | 2 |
| 5 | RAD SET / WHEEL / ROUE VERSION 2GELB/YELLOW/JAUNE | 2.324-011.0 | 1 |
| 5 | RAD / WHEEL / ROUE VERSION 2SCHWARZ/GRAU/BLACK/GREY/NOIR/GRIS | 5.515-183.0 | 1 |

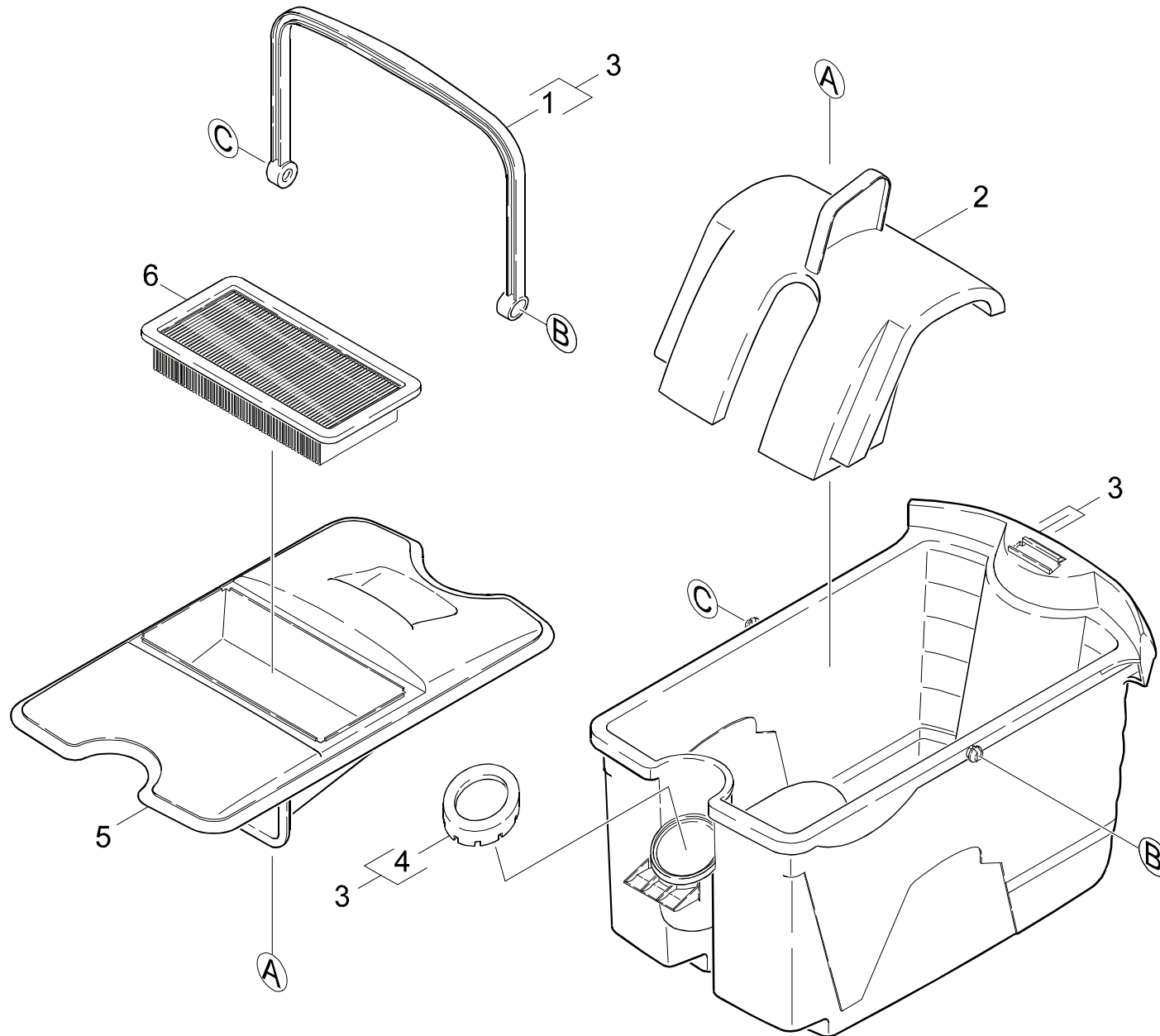
"=> xxxxxx" = bis Werknummer / up to serial No. / jusqu' au No. de fabr. / "xxxxxx =>" = ab Werknummer / from serial No. / a partir du No. de fabr. /

GRUPPE: 4.0 BEHAELTER
GROUP: 4.0 TANK
GRUPPE: 4.0 BAC

A4

K 5500

GRUPPE: 4.0 BEHAELTER
GROUP: 4.0 TANK
GRUPPE: 4.0 BAC



Symbolbeschreibung siehe M16 / symbol description see M16 / désignation de système voir M16 /

GRUPPE: 4.0 BEHAELTER
GROUP: 4.0 TANK
GRUPPE: 4.0 BAC

C4

K 5500

| POS. | BENNENNUNG | TEILE-NR. | STCK |
|------|---|-------------|------|
| ITM. | DESCRIPTION | PART-NO. | QTY. |
| POS. | DESIGNATION | NO.PIECE | NBR. |
| 1 | TRAGEGRIFF / HANDLE / POIGNEE | 5.321-724.0 | 1 |
| 2 | PRALLPLATTE / BAFFLE PLATE / PLAQUE DE DEVIATION | 5.006-816.0 | 1 |
| 3 | BEHAELTER SET / TANK / BAC | 4.070-492.0 | 1 |
| 4 | DICHTUNG STUTZEN / SEAL / BOURRAGE | 5.363-497.0 | 1 |
| 5 | BEHAELTERDECKEL / TANK COVER / COUVERCLE POUR BAC | 4.063-767.0 | 1 |
| 6 | FILTER MOTORSCHUTZ / FILTER / FILTRE | 6.414-631.0 | 1 |

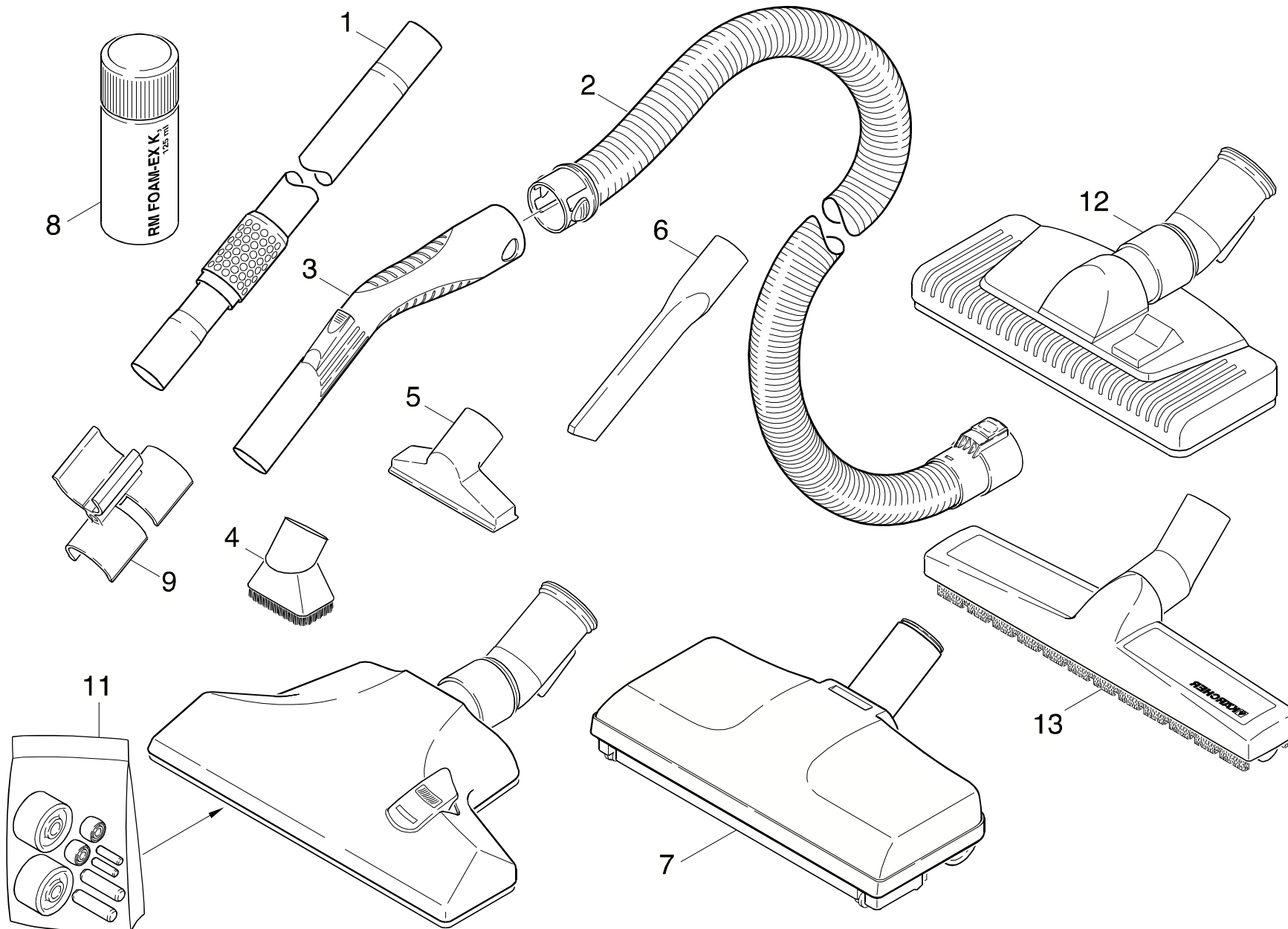
"=> xxxxxx" = bis Werknummer / up to serial No. / jusqu' au No. de fabr. / "xxxxxx =>" = ab Werknummer / from serial No. / a partir du No. de fabr. /

GRUPPE: 5.0 ZUBEHOER
GROUP: 5.0 ACCESSORIES
GRUPPE: 5.0 ACCESSOIRES

A5

K 5500

GRUPPE: 5.0 ZUBEHOER
GROUP: 5.0 ACCESSORIES
GRUPPE: 5.0 ACCESSOIRES



Symbolbeschreibung siehe M16 / symbol description see M16 / désignation de système voir M16 /

GRUPPE: 5.0 ZUBEHOER
 GROUP: 5.0 ACCESSORIES
 GROUPE: 5.0 ACCESSOIRES

C5

K 5500

| POS. ITM. POS. | BENNENNUNG DESCRIPTION DESIGNATION | TEILE-NR. PART-NO. NO.PIECE | STCK QTY. NBR. | POS. ITM. POS. | BENNENNUNG DESCRIPTION DESIGNATION | TEILE-NR. PART-NO. NO.PIECE | STCK QTY. NBR. |
|----------------------|--|-----------------------------------|----------------------|----------------------|--|-----------------------------------|----------------------|
| 1 | TELESKOPROHR / TELESCOPIC TUBE / TUBE TELESCOPIQUE | 6.902-127.0 | 1 | 12 | BODENDUESE / FLOOR TOOL / SUCEUR | 6.906-599.0 | 1 |
| 2 | SAUGSCHLAUCH KOMPL. / SUCTION HOSE / FLEXIBLE D'ASPIRATION GRAU/GREY/GRIS | 6.901-045.0 | 1 | | GRAU/GREY/GRIS / 1.195-101.0 / -102.0 / -103.0 / -104.0 / -105.0 / -109.0 / -110.0 / -111.0 | | |
| 2 | SAUGSCHLAUCH KOMPL. / SUCTION HOSE / FLEXIBLE D'ASPIRATION SCHWARZ/BLACK/NOIR | 6.901-051.0 | 1 | 12 | BODENDUESE / FLOOR TOOL / SUCEUR | 6.906-620.0 | 1 |
| 3 | HANDROHR / WAND / TUBE GRAU/GREY/GRIS | 6.902-116.0 | 1 | | SCHWARZ/BLACK/NOIR / 1.195-101.0 / -102.0 / -103.0 / -104.0 / -105.0 / -109.0 / -110.0 / -111.0 / -115.0 / -116.0 | | |
| 3 | HANDROHR / WAND / TUBE SCHWARZ/BLACK/NOIR | 6.902-126.0 | 1 | 13 | BODENDUESE PARKETT / FLOOR TOOL / SUCEUR | 6.906-527.0 | 1 |
| 4 | DUESE MOEBELPINSEL / NOZZLE / BUSE GRAU/GREY/GRIS | 6.906-250.0 | 1 | | | | |
| 4 | DUESE MOEBELPINSEL / NOZZLE / BUSE SCHWARZ/BLACK/NOIR | 6.906-623.0 | 1 | | | | |
| 5 | POLSTERDUESE / UPHOLSTERY NOZZLE / SUCEUR (FAUTEUIL) GRAU/GREY/GRIS | 6.906-247.0 | 1 | | | | |
| 5 | POLSTERDUESE / UPHOLSTERY NOZZLE / SUCEUR (FAUTEUIL) SCHWARZ/BLACK/NOIR | 6.906-622.0 | 1 | | | | |
| 6 | FUGENDUESE DN 35 / CREVICE TOOL / SUCEUR POUR FENTES SCHWARZ/BLACK/NOIR | 6.900-385.0 | 1 | | | | |
| 6 | FUGENDUESE / CREVICE TOOL / SUCEUR POUR FENTES GRAU/GREY/GRIS | 6.906-249.0 | 1 | | | | |
| 6 | FUGENDUESE / CREVICE TOOL / SUCEUR POUR FENTES SCHWARZ/BLACK/NOIR | 6.906-621.0 | 1 | | | | |
| 7 | TURBODUESE KPL / TURBO-TOOL / SUCEUR TURBO / 1.195-101.0 / -107.0 / -111.0 | 4.130-114.0 | 1 | | | | |
| 8 | RM FOAMSTOP,125ML*D / CLEANING MATERIAL / DETERGENT | 6.290-852.0 | 1 | | | | |
| 9 | HALTER ZUBEHOER / BRACKET / FIXATION SCHWARZ/BLACK/NOIR | 5.037-138.0 | 1 | | | | |
| 9 | HALTER ZUBEHOER / BRACKET / FIXATION GRAU/GREY/GRIS | 5.037-146.0 | 1 | | | | |
| 11 | LAUFROLLE SET K5500 / ROLLER / GALET DE ROULEMENT BEI BEDARF BESTELLEN/ORDER ACCORDING TO CONSUMPTION/COMMANDER AU BESOIN / 6.906-248.0 | 6.906-550.0 | 1 | | | | |

"=> xxxxxx" = bis Werknummer / up to serial No. / jusqu' au No. de fabr. / "xxxxxx =>" = ab Werknummer / from serial No. / a partir du No. de fabr. /